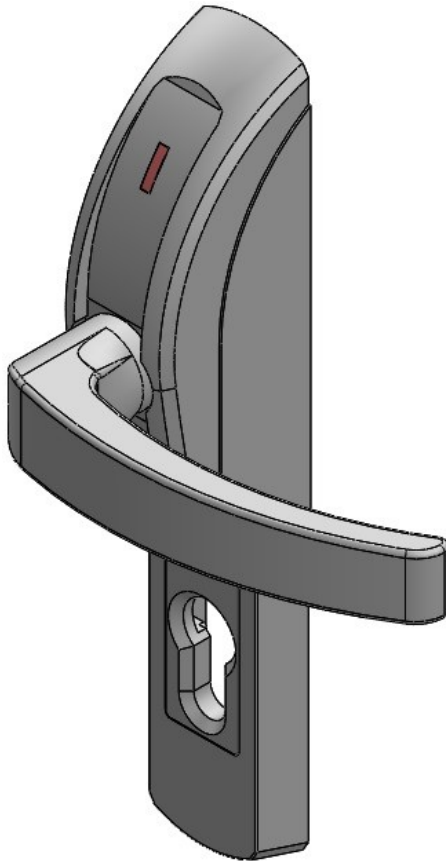


ELECTRIC HANDLE “OUVERTURE EXIT”™



TECHNICAL SPECIFICATIONS

	40610	40611	40810	40811
OPERATION CONDITION WITHOUT CURRENT	Handle Activated	Handle Activated	Handle Disabled	Handle Disabled
INTERAXLE SPACING	72 mm 92 mm	72 mm 92 mm	72 mm 92 mm	72 mm 92 mm
HAND	Non handed	Non handed	Non handed	Non handed
SPINDLE DRIVE	9 mm	9 mm	9 mm	9 mm
SPINDLE DRIVE ROTATION	45°	45°	45°	45°
POWER SUPPLY	12 / 24 Vac/dc	12 / 24 Vac/dc	12 / 24 Vac/dc	12 / 24 Vac/dc
START-UP CURRENT (I max)	700 mA	700 mA	700 mA	700 mA
MAINTENANCE CURRENT (I max)	500 mA	500 mA	500 mA	500 mA
TIME DELAY	NO	Adjustable from 0 to 60 seconds	NO	Adjustable from 0 to 60 seconds
EXTERNAL SIGNALING (OPEN COLLECTOR)	NO	YES	NO	YES
WHITE/BLUE LOWER LIGHTING	NO	YES	NO	YES
OPEN RELEASE LEVER	Electric	Electric	Electric	Electric

Electric handle can be fitted with pull-side handles, push-bars, touch-bars and with mortice lock for fireproof doors, prepared for screws passage.

Versions:

- Activated without current (Items 40610 – 40611)
Disabled (handle in neutral position) with current
- Disabled (handle in neutral position) without current (Items 40810 – 40811).
Activated with current

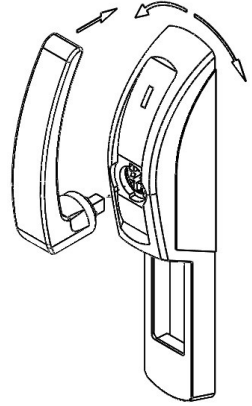
Electric handle does not affect door certification. No further processing on the frame is required.

Attention: not suitable for outdoor exposure.

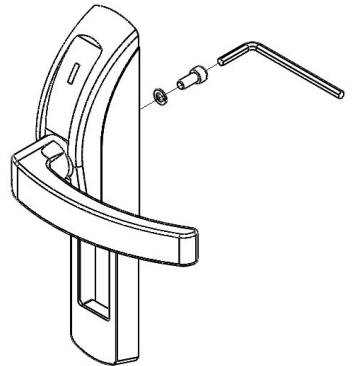
INSTALLATION

- Check the holes for the handle frame, the fixing screws and the cylinders are present on the door.
- Insert the handle as shown in the figure and rotate it in the desired direction. This operation must be done with handle powered

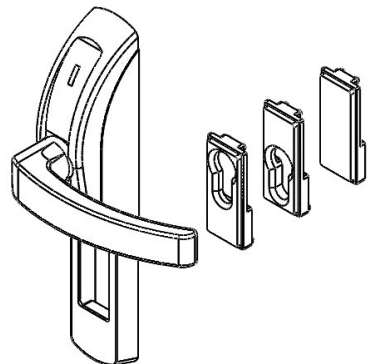
NB: for versions 40610 and 40611 this operation must be performed when power is ON; for versions 40810 and 40811 when power is OFF.



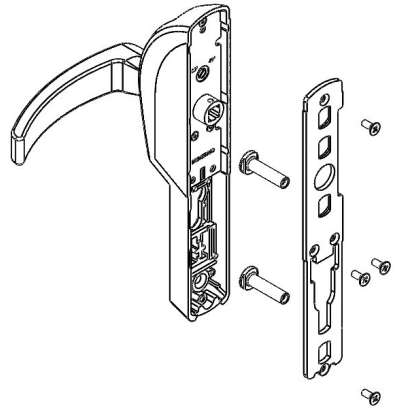
- Fix the handle with the appropriate supplied screw and split washer (Grower).



- Handle is supplied with a cylinder plate compatible with 72 mm lock center distance to be inserted in the appropriate housing (92 mm or blank cylinder plate upon request).

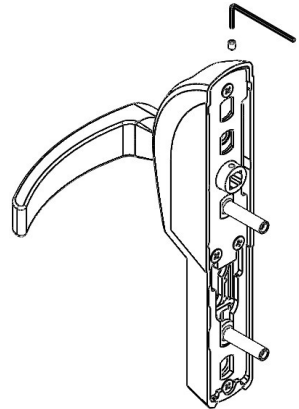


- Fix the back plate with the appropriate screws and make sure the fixing bushes are in a compatible position with the lock.
- Fit the cylinder on the lock and do not fasten the screw too tight.
- Reduce spindle drive and fixing screws according to door thickness



Attention:

- Screws length = door thickness / less 10 mm
- Spindle drive length = door profile + 5 mm max
-
-
-
-
-
- Install the spindle drive. If it is not double, use a grub screw to fix it to the electric handle.
- Tighten the screws previously reduced to complete the installation. Make sure cable is not damaged or pressed.
- Tighten the cylinder screw on the lock.



MODE OF OPERATION

Direct activation with power supply (without time delay)

40610 serie

When the electric handle is disabled (in neutral), the red LED is on. Without power, LED turns off and handle enables door opening as long as power is OFF.

40810 serie

When the electric handle is disabled (in neutral), the green LED is off. Power supply enables door opening and green LED turns on as long as power is ON.

Attention: time delay has to be set at 0 seconds for items code 40611 and 40811.

It is possible to use both the lead cover and the pressure contacts.

Activation with dry contact (with time delay)

40611 – 40811 series

When the electric handle is disabled (in neutral), the red LED is on. Handle enables door opening once the opening switch is pressed and released and the green LED is on for the setted time (from 5 to 60 seconds) or until the first activation of the handle. To reopen the door, the opening swicth has to be pressed again.

The use of a lead cover si recommended.

N.B. If lock is closed by key, handle, even if deactivated, cannot open the door

TIME DELAY CONFIGURATION

(Only for 40611 – 40811 versions)

The electric handle has a time delay system inside which enables to keep the handle enabled for the time selected by the user.

Time delay configuration at 0 seconds

When time delay configuration is set at 0 seconds, previous time configurations are canceled. This allows conversion of a 40611 in a 40610 and 40811 in a 40810.

1. Connect the N.O. programming switch (not included) to the blue wire and to the green wire of the ground signals.
2. Connect the handle to the power supply (grey and white wires).
3. Plate has a red LED light. Press the programming switch until the LED becomes blue. Release the programming switch immediately. LED turns on for about one second to confirm programming. Electric handle remains enabled for the duration of the electrical pulse only.

Time delay configuration from 5 to 60 seconds

1. Connect the N.O. programming switch (not included) to the blue wire and to the green wire of the ground signals (GND).
2. Connect the handle to the power supply (grey and white wires).
3. Plate has a red LED light. Press the programming switch until the LED becomes blue. Keep the switch pressed and the LED double flashes, each flash corresponding to 5 seconds. Once the desired timing is achieved, release the programming switch. LED confirms set timing flashing. Electric handle remains enabled for the selected time or until the first activation as opening action cancels residual time set.

ELECTRIC HOLD OPEN DEVICE

To keep the door enabled for a time set by the user, it is necessary to install a switch in parallel with the opening switch. It will keep the door open until its disconnection.

ACTIVATION AND DEACTIVATION OF THE LOWER WHITE/BLUE LED'S LIGHTING

(40611 – 40811 versions only)

White/blue LED's deactivation

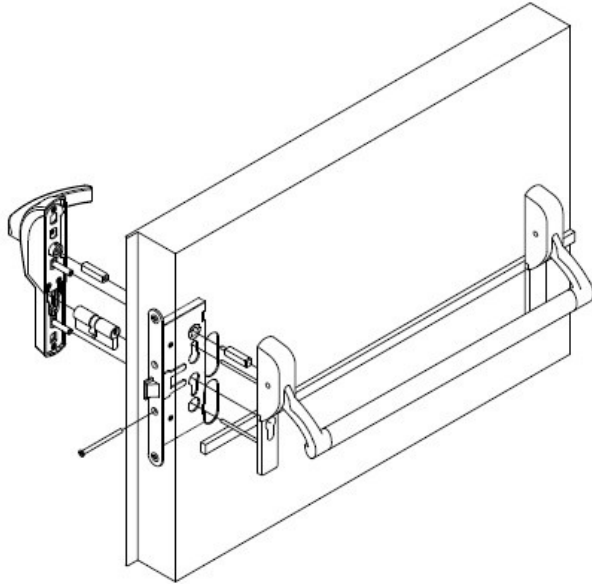
1. Connect the N.O. programming switch (not included) to the blue and to the green wire of the ground singals (GND).
2. Press the programming switch when the electric handle is deactivated.
3. Connect the handle to the power supply, keeping the switch pressed.
4. Blue LED light will flash twice and it will then become red. Releasing the programming switch, LED will flash twice confirming the white/blue lower lighting deactivation.

White/blue LED's activation

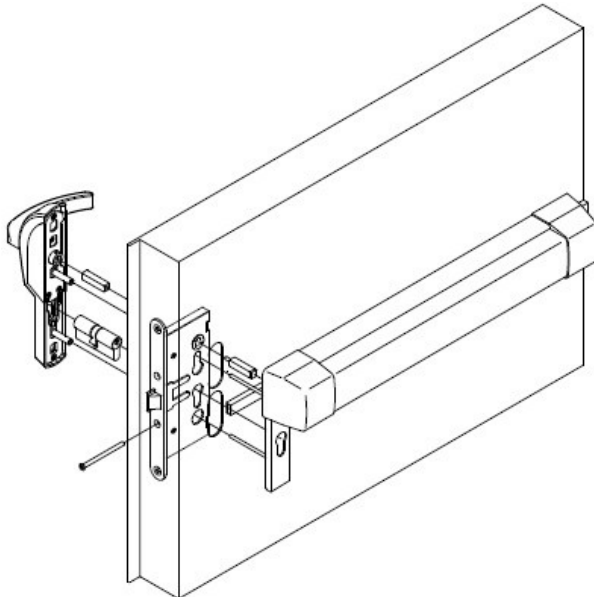
1. Connect the N.O. programming switch (not included) to the blue and to the green wire of the ground singals (GND).
2. Press the programming switch when the electric handle is deactivated.
3. Connect the handle to the power supply, keeping the switch pressed.
4. Blue LED light will flash twice and it will then become red. Releasing the programming switch, LED will flash twice confirming the white/blue lower lighting activation.

INSTALLATION EXAMPLES

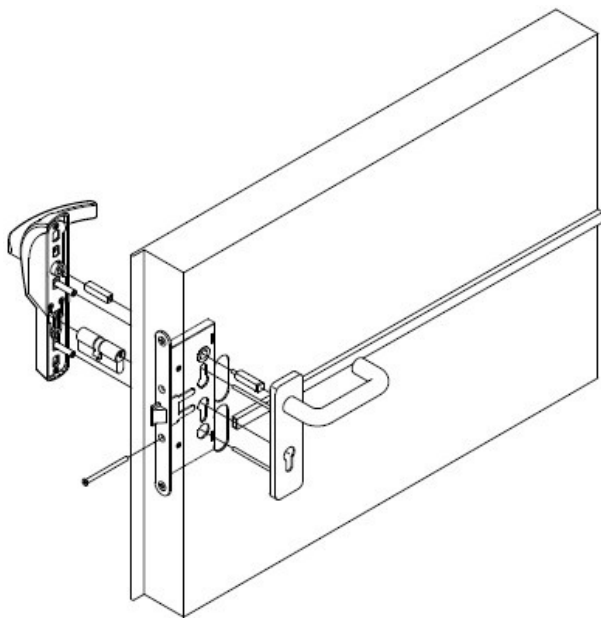
Electric handle with Push-Bar on full metal fireproof doors



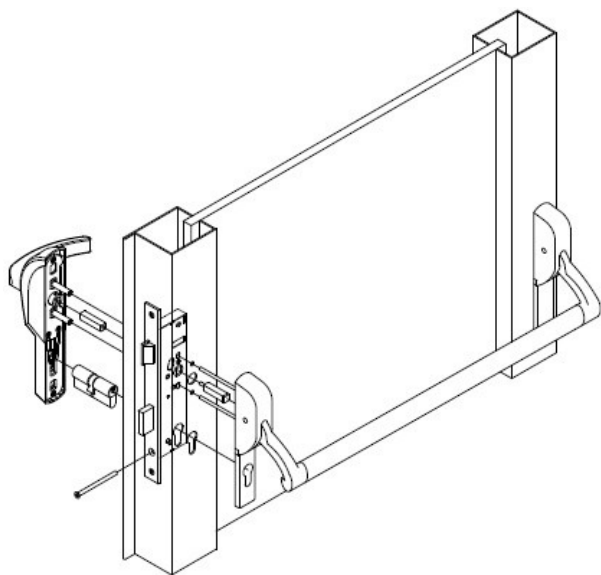
Electric handle with Touch-Bar on full metal fireproof doors



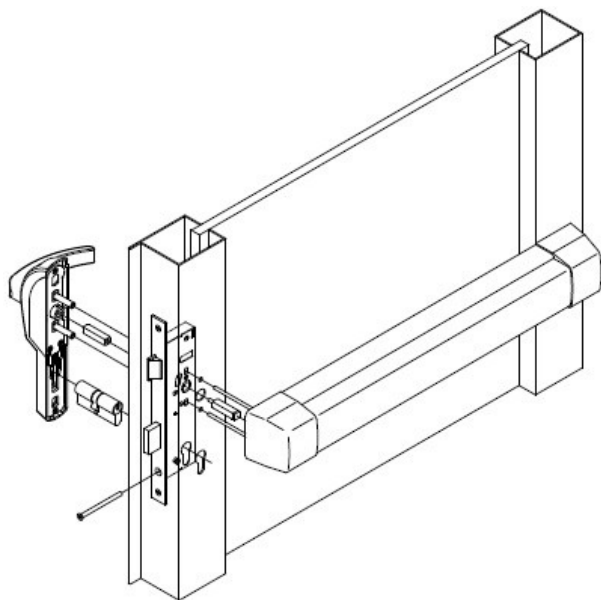
Electric handle with opposite side handle on full metal fireproof doors



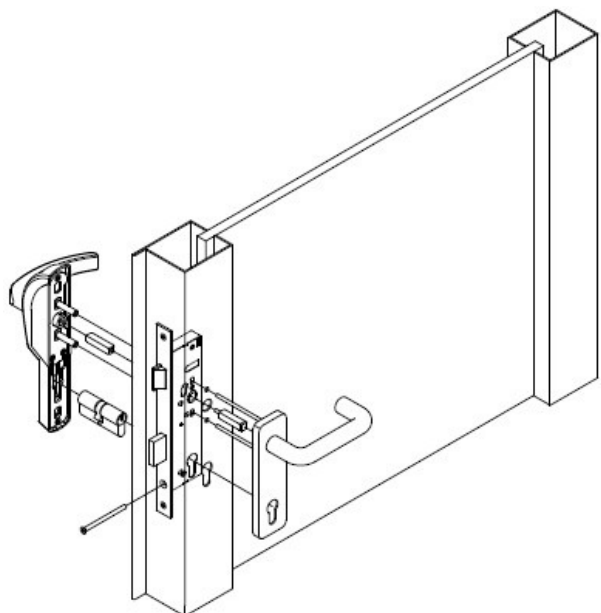
Electric handle with Push-Bar on glazed fireproof doors



Electric handle with Touch-Bar on glazed fireproof doors

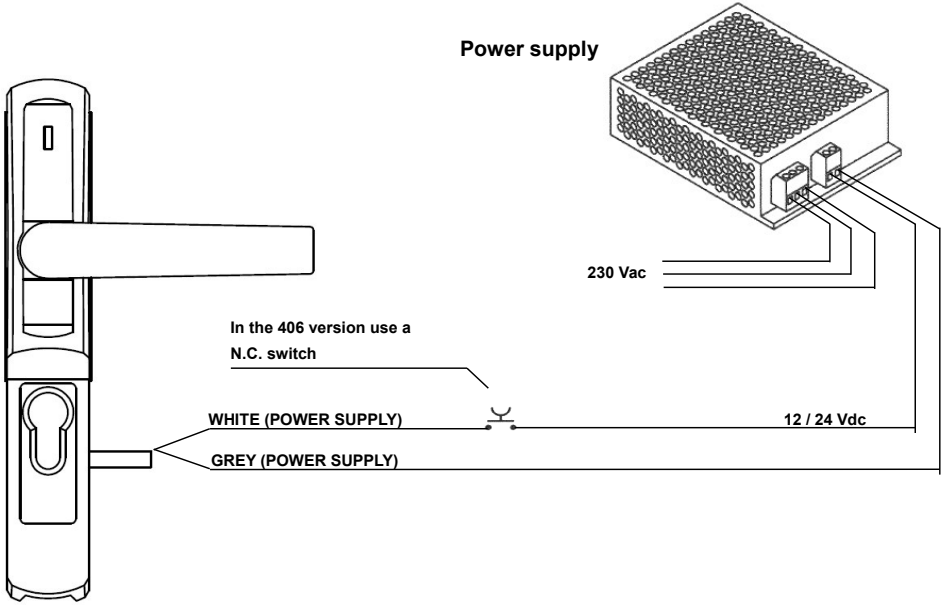


Electric handle with opposite side handle on glazed fireproof doors

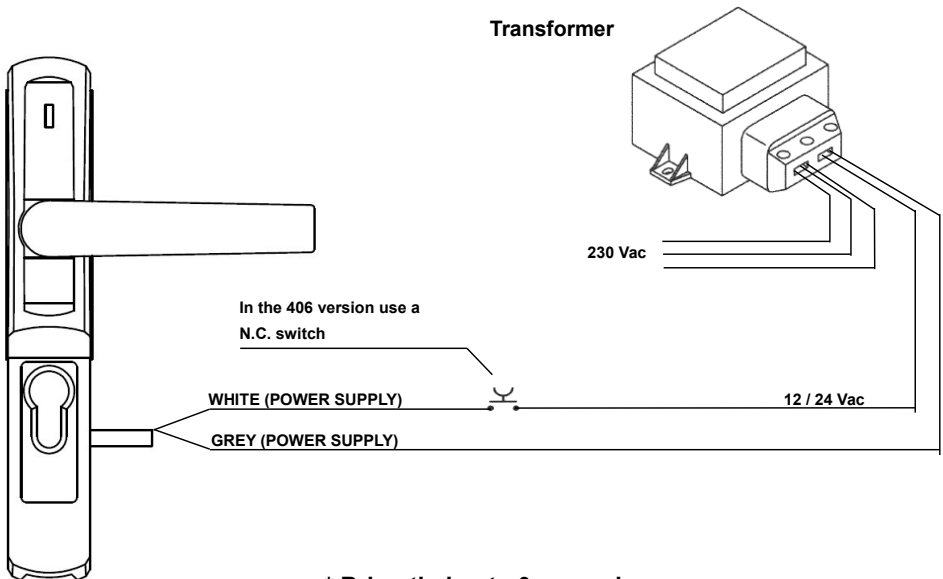


CONNECTING DIAGRAM

**“DC” power supply with direct electricity activation
for items 40610 – 40611* – 40810 - 40811***

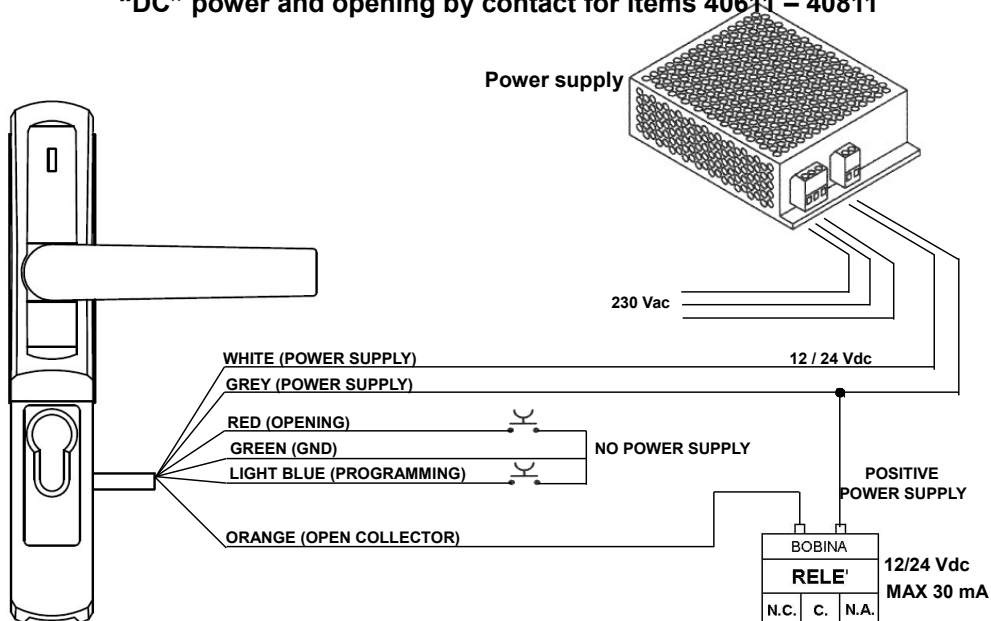


**“AC” power supply with direct electricity activation
for items 40610 – 40611* – 40810 - 40811***

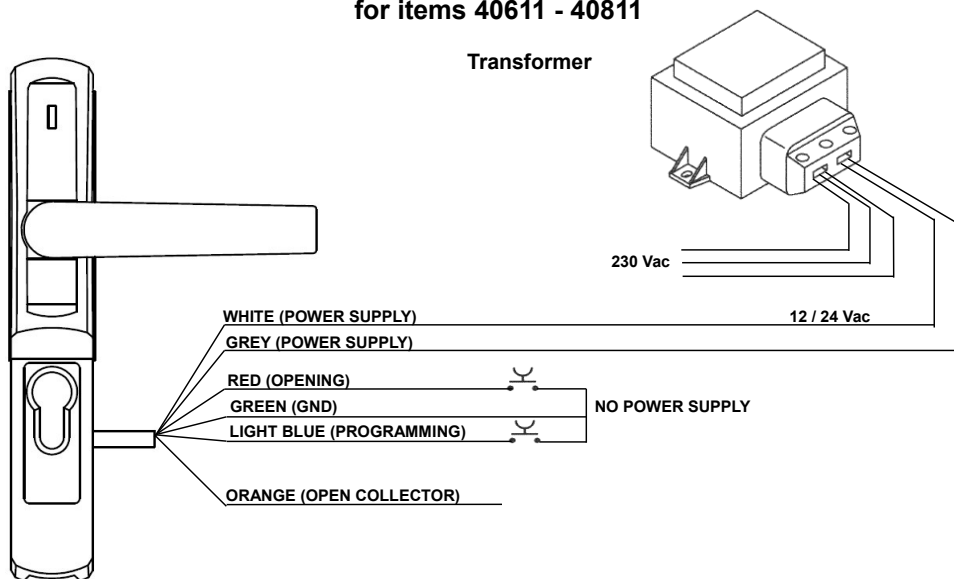


*** Bring timing to 0 seconds**

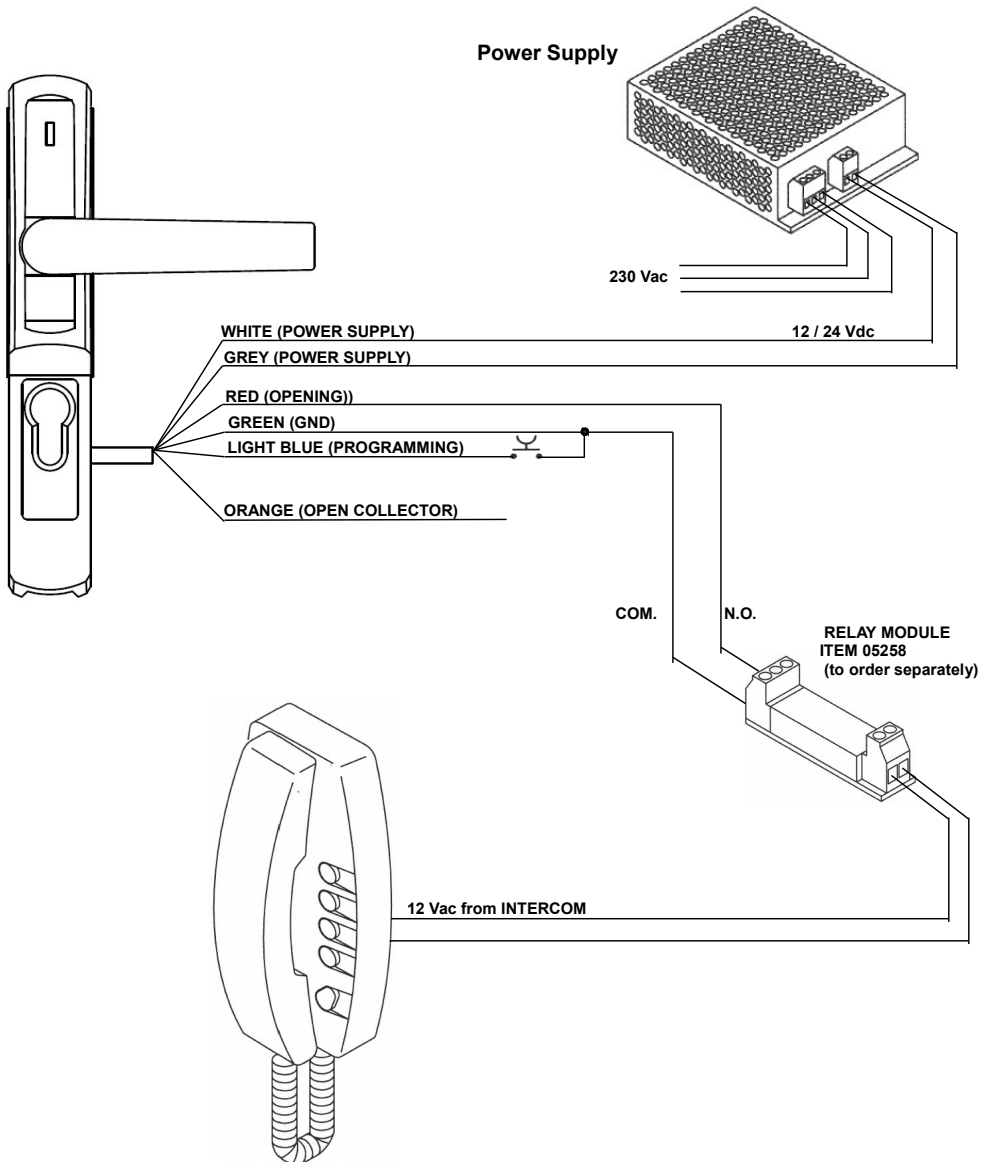
“DC” power and opening by contact for items 40611 – 40811



“AC” power supply and opening by contact for items 40611 - 40811



Intercom electric handle connection



OPERA s.r.l.

Tel. +39 059451708

www.opera-italy.com – info@opera-access.it