

FIXING PLATE FOR "ISEO" REF 0042806

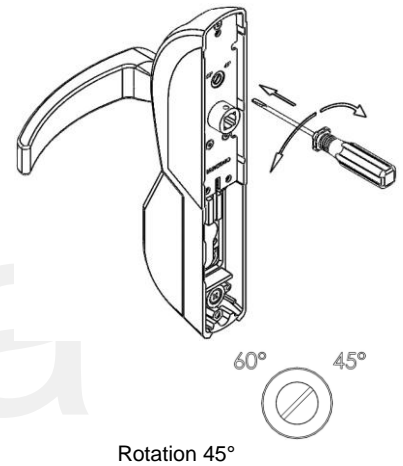
COMPATIBILITY

This fixing plate enables to fix the electric handles 40620 – 40621 – 40820 – 40821 to the **ISEO** panic **Idea Base 941** series and **Idea Push 942** series

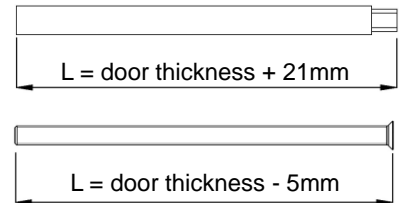
INSTALLATION

- Set the rotation selector at 45°.
To change rotation, push and turn the selector with a flat screwdriver till the required degrees (see image).

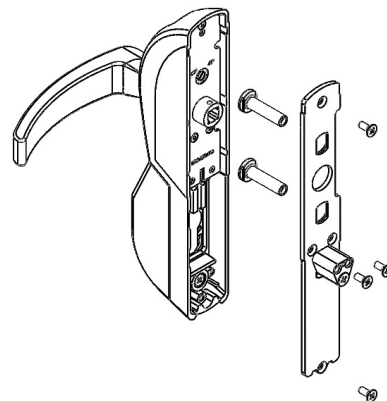
- Release the selector



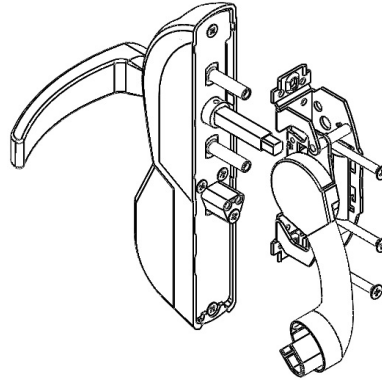
- Shorten the supplied spindle drive and the fixing screws



- Fix the back plate with the appropriate screws. Check if the fixing sockets are in the correct position, compatible with the fixing holes on the panic bar

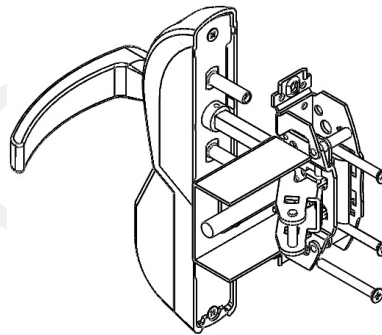


Idea Base – Panama Bar



Push – Panama Push

- Insert the spindle drive into the nut on the electric handle and end the assembling fixing the panic bar to the handle with the screws previously shortened



ATTENTION: for a correct assembling, these instructions have to be integrated to the handle and the panic bar instructions.