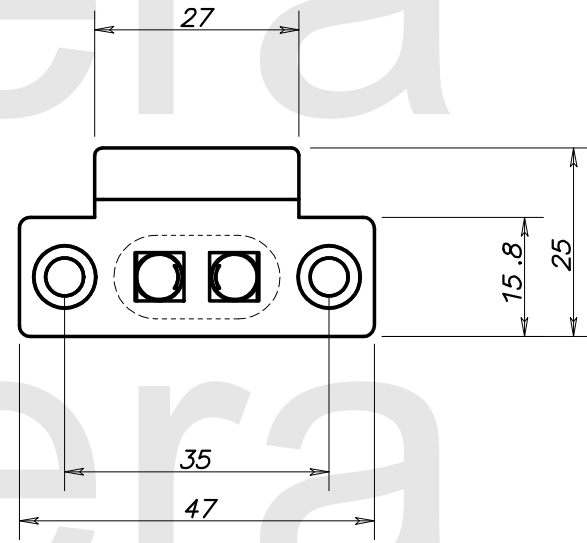


N°2 5mm



N°2 2.5mm

